



AHL-LIGHT 35

LED WORK LIGHT

The Ahl-Light 35 is a robust underwater LED working light. It can be hung from its cable and used as a mobile light or it can be fitted to a bracket and used as a permanent light.

APPLICATIONS

- Underwater nuclear working light
- Ideal for work in reactor and fuel pools
- Works together with a separate power supply unit
- The light is delivered with the same type of power supply unit as the AHL-LIGHT 70 which is placed either in air (on the railing or on the wall) or underwater

BENEFITS

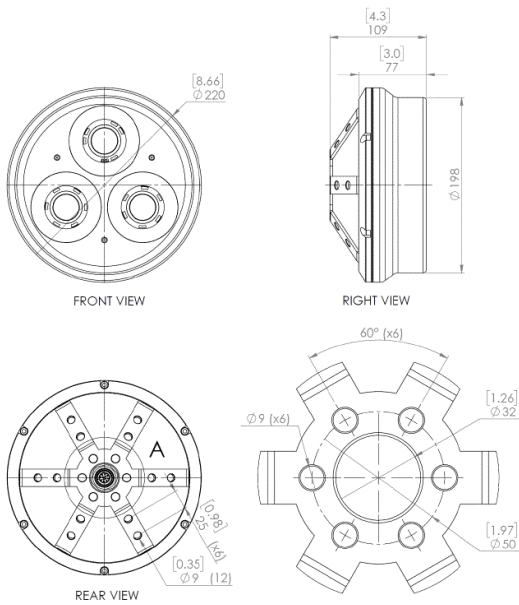
- Low maintenance costs due to its long life-time
- 43 500 lumen light output
- Overheating protection during unintended use in air
- FME approved design - no loose parts can enter the pool water
- Power supply can be placed in air or underwater

SPECIFICATIONS

Diameter	220 mm (8.7")
Height	109 mm (4.3")
Weight	4.5 kg (9.9 lbs)
Housing material	Stainless steel EN 1.4301, AISI 304/AISI 316
Front glass material	Polycarbonate
Maximum temperature	60°C, 70°C for short periods (140°F, 158°F)
Water tightness	min 3.0 bar (30 m)
Lights	LED 100-240 VAC, 50/60 HZ, 240 W
Typical luminous flux	43 500lm @5000K, 41 500lm @ 3000K
Color rendering index	80
Color temperature	3000K or 5000K
Lighting angle	64°
Life time	>50 000 h
Radiation tolerance (total dose)	50 000 Gy (5 000 000 rad)
Maximum cable length	250m

We reserve the right to alter specifications without prior notice

AHL-LIGHT 35 IMAGES



We reserve the right to alter specifications without prior notice