



PT255

PAN-AND-TILT UNIT FOR THE CCTV90/95/98 AND CCTV116 CAMERAS

The PT255 is a pan-and-tilt unit for the CCTV90/95/98 and CCTV116 cameras. It seamlessly regulates its movements and can be equipped with potentiometer for pan-and-tilt registration.

APPLICATIONS

- Pan-and-tilt unit for use with CCTV90/95/98 and CCTV116

BENEFITS

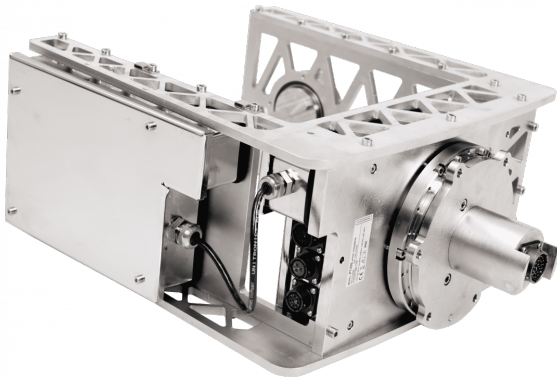
- High radiation tolerance
- Robust design
- Seismically certified
- Can be equipped with potentiometers for pan-and-tilt registration

SPECIFICATIONS

Width	395 mm (15.5")
Length	198 mm (7.8")
Height	498 mm (19.6")
Housing material	Stainless steel
Weight	26 kg, (57 lbs)
Temperature range	5-70°C (41-158°F)
IP classification	IP65
Pan angle	324° (adjustable 84° to 360°)
Tilt angle	180° (90-0-90°)
Radiation tolerance (total dose)	1 000 000 Gy (100 000 000 rad)

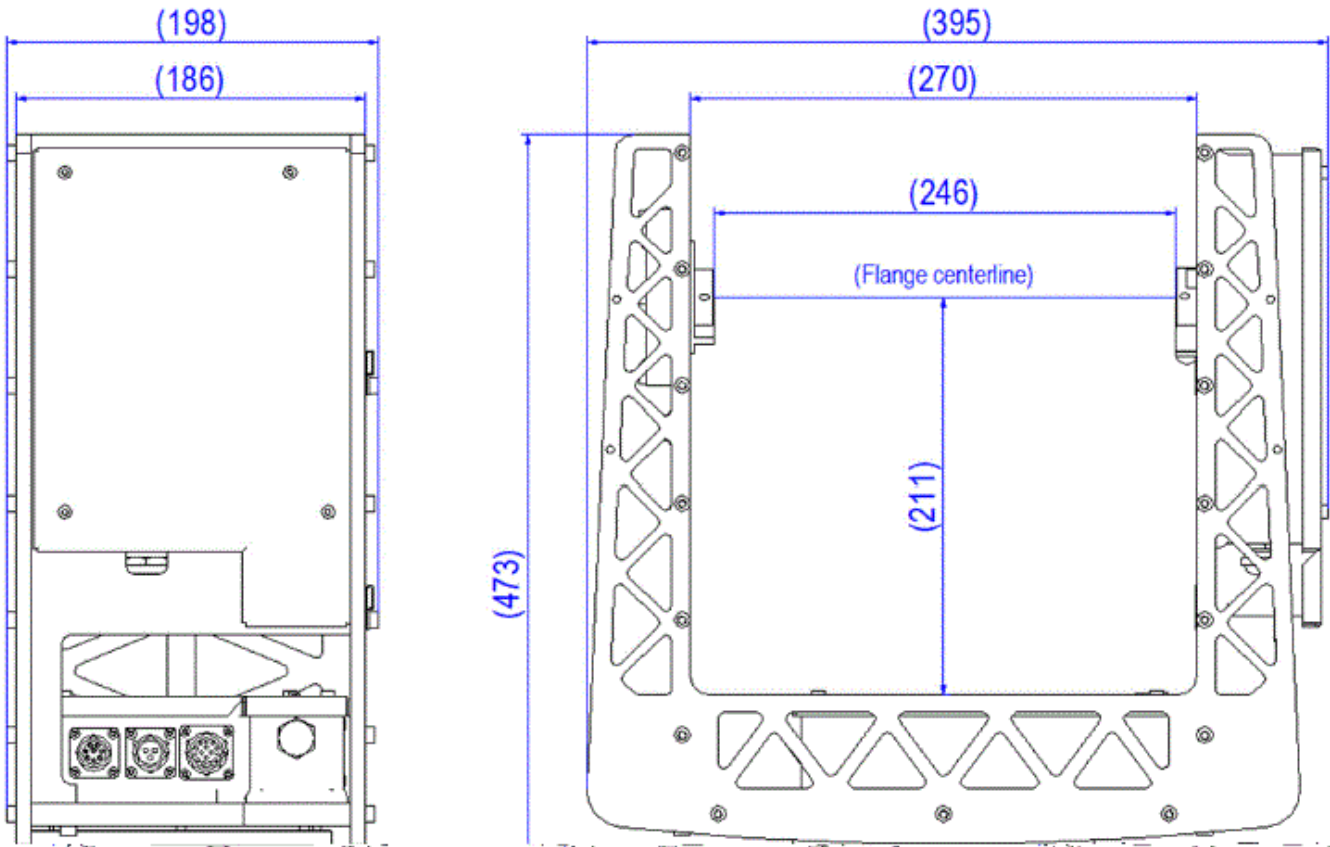
We reserve the right to alter specifications without prior notice

PT255 IMAGES



We reserve the right to alter specifications without prior notice

PT255



We reserve the right to alter specifications without prior notice